

## S4.4 CarProg GM Airbag Reset Tool

### System description:

Works with GM group from year 1999 to 2005 (GMC-Chevrolet-Chevy-Saturn-Cadillac-Pontiac) airbag sensors made by Delco (these airbag modules have brown bottom side):

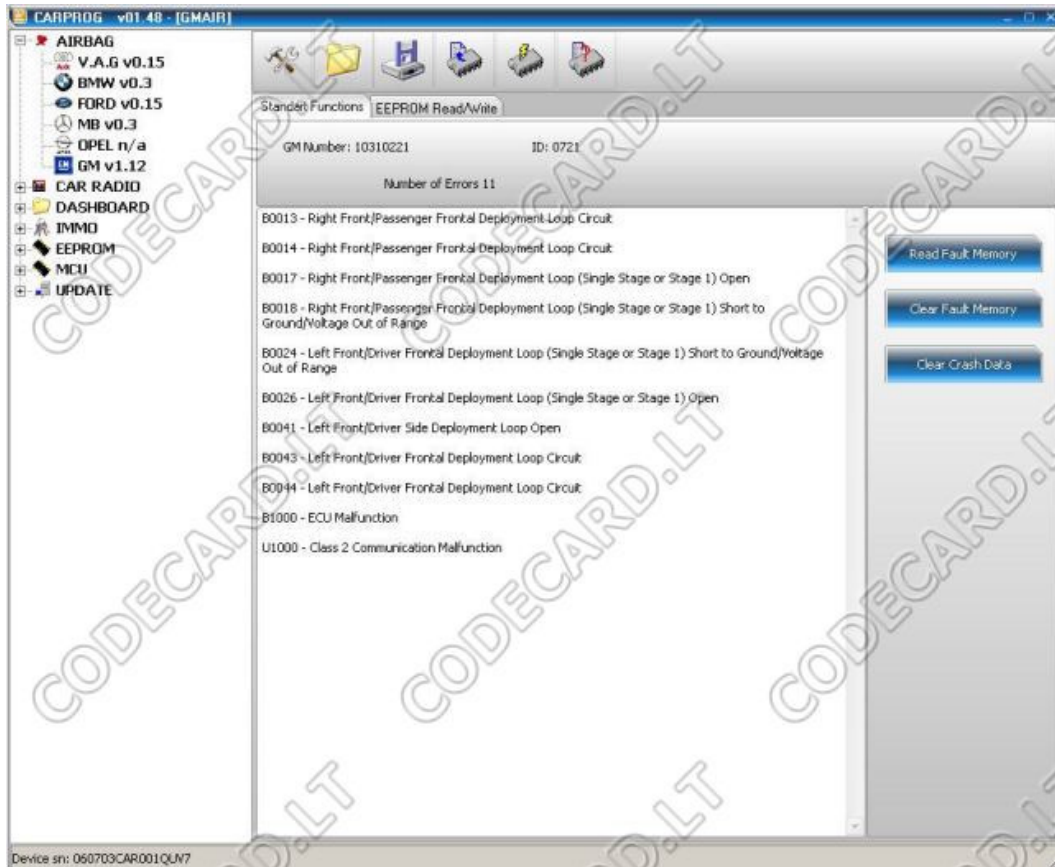
- Chevrolet Impala, Malibu, Silverado, Avalanche, HHR, Corado 1999-2005
- Saturn Ion 2003-2005
- Pontiac Aztek 2001-2003
- Bonneville Lesabre 2005
- and many others ...



Support airbag (SRS) sensor internal memory (EEPROM) read/write by OBDII connector, error and crash data erase by diagnostic, error reading and testing by OBDII.

### How to use

Just plug CarProg GM OBDII adapter (not use standart OBDII CarProg adapter) to the car OBDII connector, connect CarProg to PC USB connector and start CarProg GM Airbag program. Now you can read faults and clear fault memory:

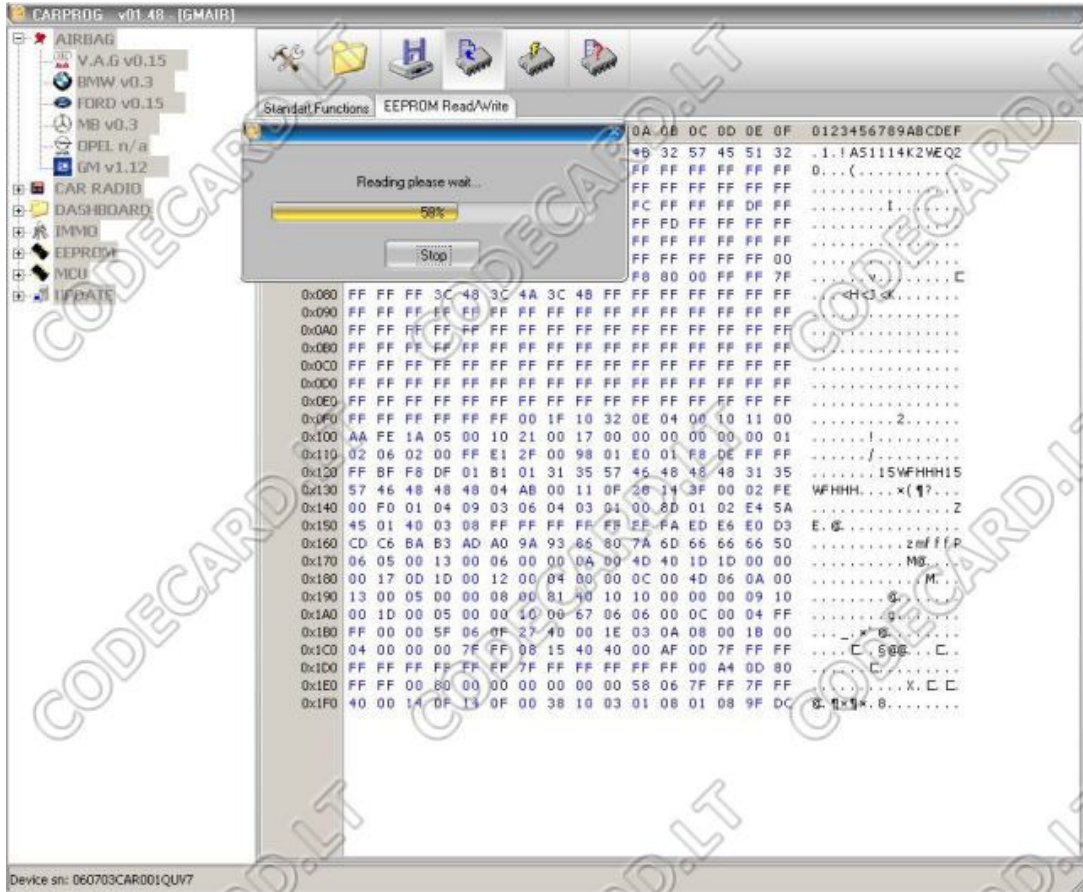


Also you can read and write all internal EEPROM memory. We recommend to do it every time before "crash data" erasing. We don't have all GM models data and you can destroy airbag module. **Read and save EEPROM before "crash data" erasing !!!**

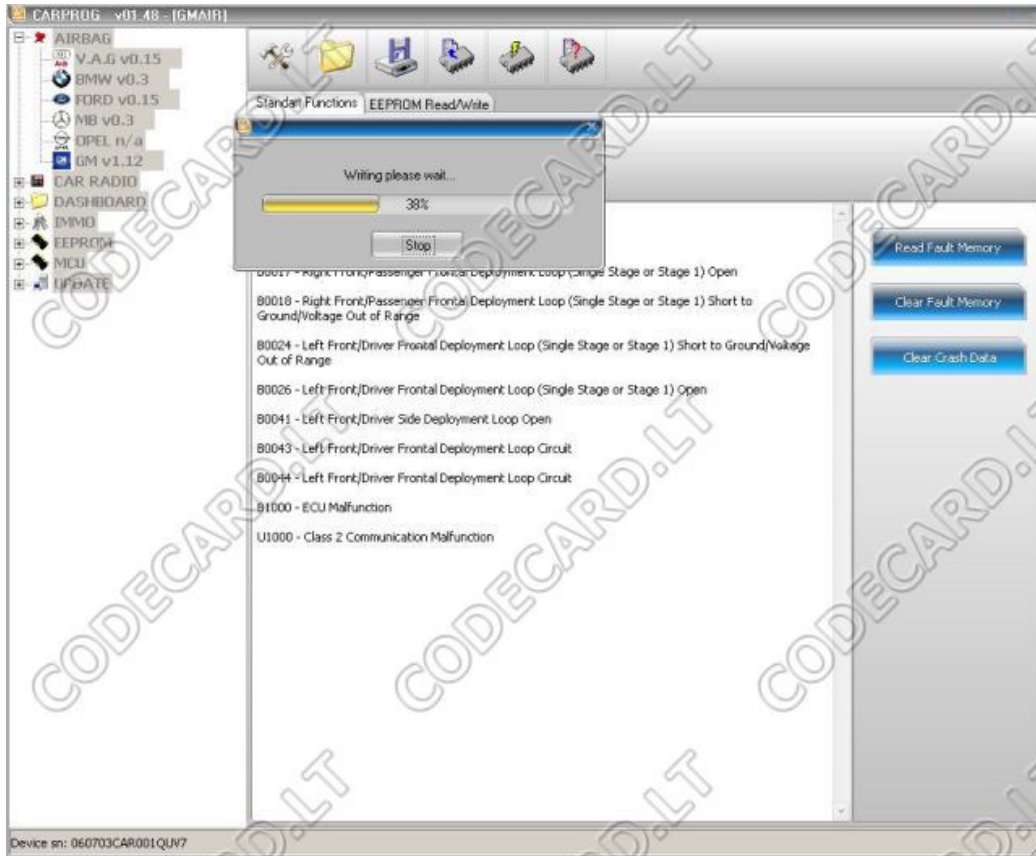
**!!! This is experimental product and you can damage your car. We are not responsible for any car damages relating this product !!!**

CODECARD.LT

# CARPROG



by pushing "Clear crash data" you can erase car crash even and airbag module will stay ready to use again.

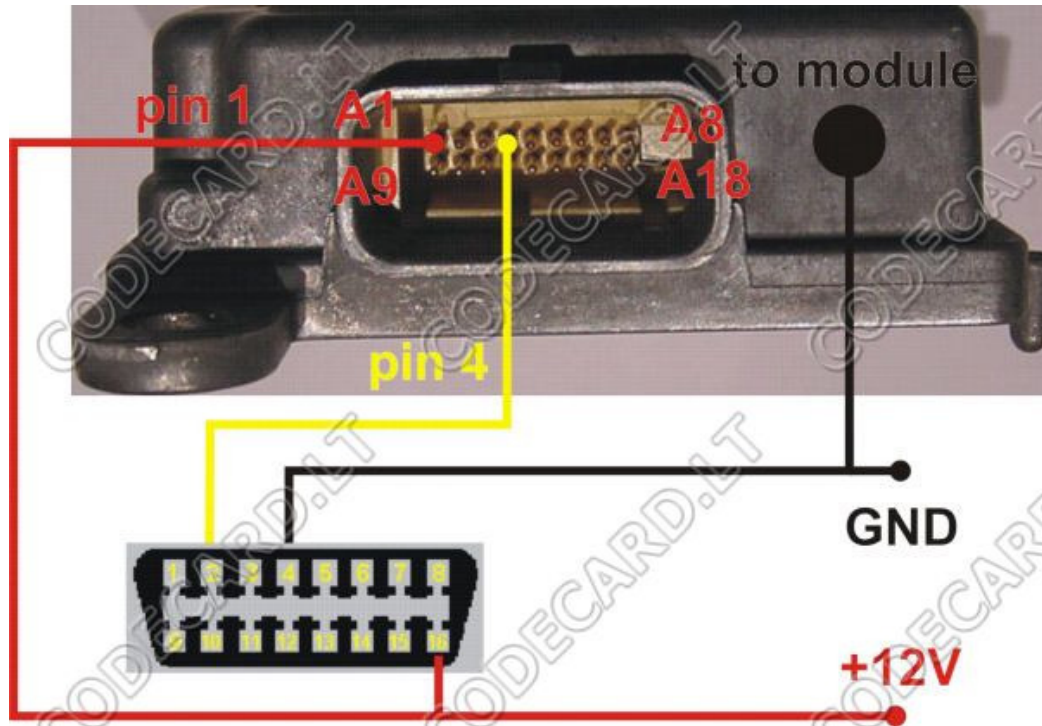


If after "clear crash data" fault "computer malfunction" remain, please read all EEPROM and send to [support@codecard.it](mailto:support@codecard.it) including car type, model and production year. We will do update exactly for this new type.

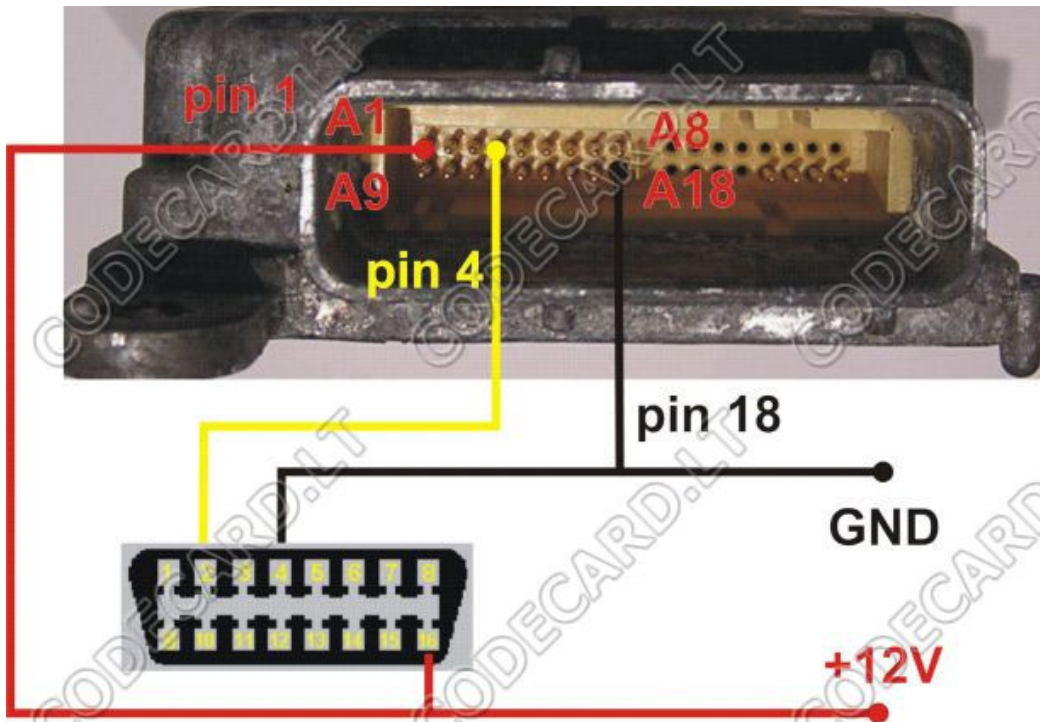
**Crash erasing without car:**

You must build simple wiring on the table. Now you can connect CarProg GM Airbag like in car.

**Airbag type 1 (GM cars year 1999-2002):**



**Airbag type 2 (GM cars year 2002-2004):**



**Airbag type 3 (GM cars year 2005-2006):**

